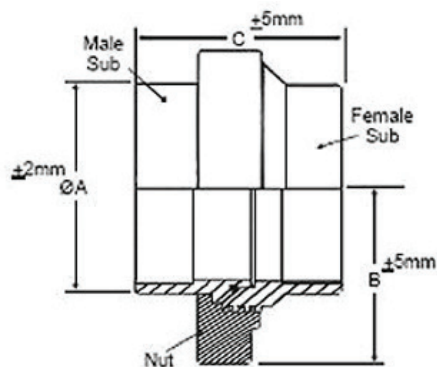


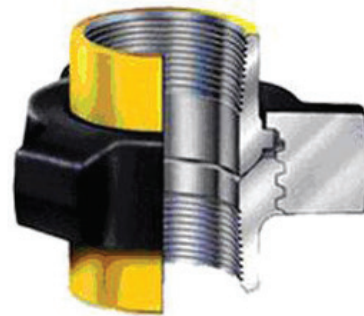
STANDARD FIG 100

DESCRIPTION

These low pressure hammer unions are ideal for manifold and applications where CWP does not exceed 1000 PSI.



1,000 PSI CWP (Fig. - 100)



Size	A		B		C		ACME (TPI)	Union Weight	
	inch	mm	inch	mm	inch	mm		lbs	kg
1	1.6	40.5	1.95	50	2.57	65	6STD	1.75	0.79
2	2.74	69.5	2.91	74	3.66	93	3MOD	5.73	2.6
2 1/2	3.3	84	3.81	97	4.29	109	3MOD	9.47	4.3
3	4.09	104	4.09	104	4.88	124	3MOD	1.33	6.05
4	5.19	132	5	127	5.78	147	3MOD	19.84	9
5	6.37	162	5.75	146	6.03	153	4STD	33	15
6	7.36	187	6.92	176	6.71	170.5	3STD	46	20.9
8	9.52	242	8	203	7.2	183	3STD	61.72	28