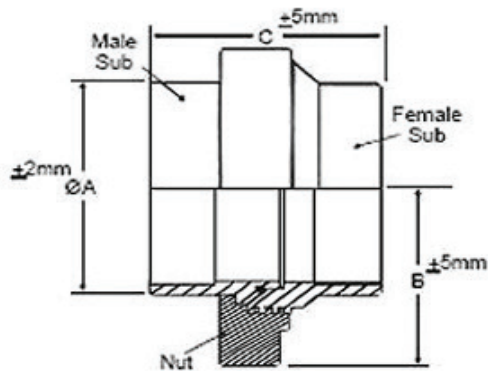


STANDARD FIG 206

DESCRIPTION

These hammer unions have an additional 'O' ring on the spherical surface of the male sub providing a leak proof seal. All dimensions of Fig200 & Fig206 are identical.



2,000 PSI CWP (Fig. - 206)



Size	A		B		C		ACME (TPI)	Union Weight	
	inch	mm	inch	mm	inch	mm		lbs	kg
1	1.59	40.5	1.96	50	2.55	65	6STD	1.76	0.8
1 1/4	2	51	2.11	53.6	2.79	71	6STD	2.2	1
1 1/2	2.28	58	2.52	64	2.73	69.5	6STD	2.42	1.1
2	2.79	71	2.91	74	3.54	90	4STD	5	2.3
2 1/2	3.3	84	3.87	98.5	4.25	108	4STD	9.25	4.2
3	4.17	106	3.89	99	4.52	115	4STD	13.67	6.2
4	5.23	133	4.52	115	4.96	126	3MOD	18.52	8.4
5	6.32	162	5.75	148	6.03	153	4STD	33	15
6	7.5	190.5	6.06	154	6.65	169	3STD	42.5	19.3
8	9.56	243	7.18	182.5	7.15	181.5	3STD	61.7	28
10	11.49	292	9.01	220.7	9.09	231	3STD	90.39	41